

INSPECTION | SLITTING | REWINDING

VLI series



Exceptional performance saves time and cost at every step

Common sense functionality optimizes operator efficiency

Simplified workflow processes increase throughput

 **ROTOFLEX**

Rethink what is possible

The Finishing department is evolving at a fast pace. Shorter runs and new printing workflows have reshaped the needs of today's rewind machines. Rotoflex can help converters realize how to powerfully impact profit by reducing time and cutting material waste. Simplifying operator steps and providing instant access to critical functions by just a few seconds increases the amount of production that can be produced, saving thousands per year.

A completely re-thought rewind inspection platform.

Workflow redefined – VLI redefined

When it comes to inspecting and rewinding film and specialty materials, Rotoflex has broken down the finishing operation in terms of time = money. Specific characteristics that save measurable time and drive efficiency at every step have been identified. These attributes found in the VLI can add as many as 300 jobs per shift, per year.

Time = Money

- Drives more bottom line profit by increasing throughput for the entire operation
- Get more out of every machine. Reduce cycle times by squeezing seconds and minutes from every job

The VLI delivers tangible benefits

- More jobs per shift
- More operator efficiency at every step
- Drastically improve cycle times for critical functions

Flawlessly finish a variety of applications and substrates

- Film packaging and film labels
- Unsupported film
- Tension sensitive materials
- Various specialty substrates

VLI Features

The Rotoflex VLI redefines the film rewind machine to meet changing needs. From its ground-up redesign, well-defined attributes reduce the cost of output while improving operator control and comfort. Key features include:

- Faster running speeds
- Large, easy-access touch-screen display
- Primary operator functions are positioned for instant access
- Well-placed auxiliary controls featuring tool pockets



Human-centric common sense controls

- Primary functions designed with instant access to controls for optimized operator responsiveness
- Well-placed control consoles with user-friendly tool pockets
- URC 2.0 system with 15 inch/381mm monitor is intuitive, easy to reach and gives operator complete control



VLI series

INSPECTION | SLITTING | REWINDING



Lower Profile

- Lower overall working heights provide easy access and efficient operator use
- Lower splice table and slitter provide more comfortable working heights, reducing operator fatigue and increasing output



Redesigned Web Paths

- Improved access to web path maximizes set-up and improves change over efficiency
- Versatile web path allows fault placement in multiple locations
- Easy vision system integration

Modular platform design

- Unwind design is modular and expandable for future configurations/applications
- Vision system mounting areas standard on most configurations



VLI Advanced Features

A completely redesigned inspection and rewind system designed for more advanced applications including film, film packaging and other tension-sensitive materials. The VLI can be configured to meet a full range of inspection rewinding needs.

URC 2.0 Control System

- Report Management System (RMS)
- High-performance processor
- Most advanced defect detection system available
 - Independent multi-lane count
 - MMLD – 100% missing matrix and label detection
 - Precise fault placement
- Automatic calibration significantly reduces set-up time and waste

eDrive 2.0

- Better use of power which results in better roll characteristics
- Seamless roll quality at any speed and with any speed changes
- Faster acceleration and deceleration with maximum control
- Increases production effectiveness and preserves roll quality

Specifications

VLI

Web Width - Imperial	13.25/17.25/20.25/24.25/28.25 inch	
Web Width - Metric	330/440/500/600/700 mm	

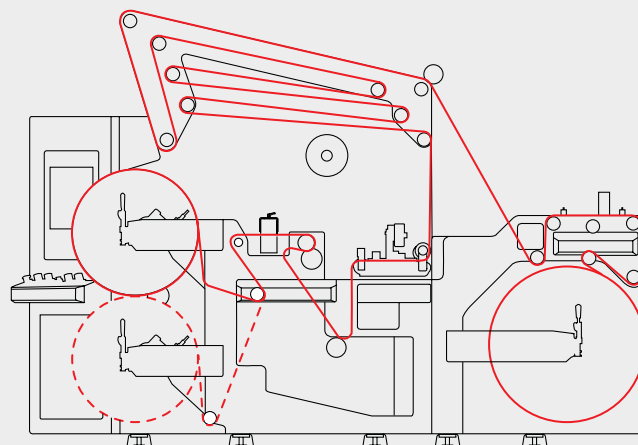
	Imperial	Metric
Max Speed <i>May vary with application</i>	2000 fpm	610 mpm
Rewind Capacity	24 inch	610 mm
Max Unwind Diameter	30 inch	762 mm

Options

Crush Slitter	Waste Wind-up
Shear Slitter	Closed Loop Tension Control
Razor Slitter	Active Static Eliminator
Slitter Cartridge	Variable Data Printing
Web Gripper-feeder	Multi-lane Counting
Dual Rewind	Clear-on-Clear Label Count
Layon/Ironing Rollers	High Intensity Strobe
Gap-control Rollers	Shroud for Inspection Area
Slip-differential Shafts	Flag and Splice Detection
40 inch/1016 mm Unwind Stand with Lift	Matrix and Missing Label Detection
Roll Lift for Onboard Unwind	Complete Range of Inspection Systems
Multiple Web-guiding Systems	

Ask your Rotoflex representative about all available options and custom configurations.

Web Path



With a mission to serve as your **Total Solutions Partner**, our global team is committed to delivering high quality, innovative solutions and support to help you drive profitability. Mark Andy responds to business needs by offering a broad range of equipment, education, support and supplies to printers and converters around the world.

Partnering with Mark Andy means access to leading global brands with **Mark Andy** narrow and mid-web printing presses, **Rotoflex** finishing solutions, and a complete line of **Mark Andy Print Products** consumables and pressroom supplies. All Mark Andy products are supported by the largest customer service team in the industry, committed to delivering spare parts, technical service, PM programs, retrofits and rebuilds, as well as dedicated hands-on training through **Mark Andy University**.

For your local representative
go to rotoflex.com/dealerlocator

Global Headquarters

18081 Chesterfield Airport Road
Chesterfield, MO USA 63005

Tel +1 636 532 4433

Fax +1 636 532 1510

Email sales@rotoflex.com



rotoflex.com