

HORIZONTAL | INSPECTION | REWINDING

# HSI series



Exceptional performance and reliability  
Common sense functionality optimizes efficiency  
Flexible format and simplified workflow

 ROTOFLEX

# High productivity finishing

Rotoflex HSI provides superior roll-to-roll label inspection, slitting and rewinding, in an operator-friendly horizontal orientation. This durable design is focused on productivity, offering considerable time and waste savings to increase efficiency in today's demanding production environments.

# HSI series

## HSI Features

### URC 2.0 Control System

- Report Management System (RMS) production analysis tool
- High-performance processor
- Most advanced defect detection system available
  - Linear – independent stream count
  - MMLD – 100% missing matrix and label detection
  - Precise fault placement at editing table
- Automatic calibration reduces set-up time and waste

### eDrive 2.0

- Better use of power which results in better roll characteristics
- Seamless roll quality at any speed and with any speed changes
- Faster acceleration and deceleration with maximum control
- Increases production effectiveness and preserves roll quality

## Specifications

| HSI                              | Imperial         | Metric     |
|----------------------------------|------------------|------------|
| Web Width                        | 13.25/17.25 inch | 330/440 mm |
| Max Speed                        | 1000 fpm         | 305 mpm    |
| <i>May vary with application</i> |                  |            |
| Max Unwind Diameter              | 30 inch          | 762 mm     |
| Rewind Capacity                  | 20 inch          | 508 mm     |

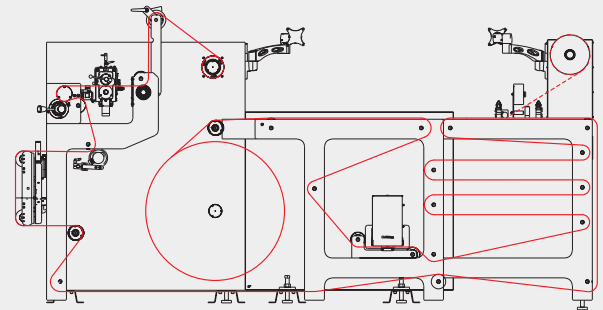
### Options

|                                    |                            |
|------------------------------------|----------------------------|
| Crush Slitter                      | Slitter Cartridge          |
| Shear Slitter                      | Anti Static Equipment      |
| Razor Slitter                      | Clear-on-Clear Label Count |
| Matrix and Missing Label Detection | Flag & Splice Detection    |
| Roll Lift                          | LED Strobe                 |
| Waste Wind-Up                      | Variable Data Printing     |

Complete Range of Inspection Systems

Ask your Rotoflex representative about all available options and custom configurations.

### Web Path



----- Dotted line indicates optional functions

With a mission to serve as your **Total Solutions Partner**, our global team is committed to delivering high quality, innovative solutions and support to help you drive profitability. Mark Andy responds to business needs by offering a broad range of equipment, education, support and supplies to printers and converters around the world.

Partnering with Mark Andy means access to leading global brands with **Mark Andy** narrow and mid-web printing presses, **Rotoflex** finishing solutions, and a complete line of **Mark Andy Print Products** consumables and pressroom supplies. All Mark Andy products are supported by the largest customer service team in the industry, committed to delivering spare parts, technical service, PM programs, retrofits and rebuilds, as well as dedicated hands-on training through **Mark Andy University**.

For your local representative  
go to [rotoflex.com/dealerlocator](http://rotoflex.com/dealerlocator)

### Global Headquarters

18081 Chesterfield Airport Road  
Chesterfield, MO USA 63005

Tel +1 636 532 4433

Fax +1 636 532 1510

Email [sales@rotoflex.com](mailto:sales@rotoflex.com)



[rotoflex.com](http://rotoflex.com)